

Tracoe Vario – REF 460

Tracheostomy tube with adjustable neck flange, low-pressure cuff, scale and 15 mm connector

Product Description

Tracoe Vario is a soft, flexible tube with an adjustable neck flange. By means of a practical push-button mechanism, the flange can be moved and individually adjusted for each patient. In this way, the correct length can be achieved. A scale ensures the exact positioning of the neck flange in preparation for a tube change. The flange is then locked in place by moving the orange lever upward. Locking with a twist lock is no longer necessary. Tracoe Vario tubes are made of DEHP-free, medical grade PVC and are available with and without spiral-reinforcement. The assortment includes both standard and extra-long versions.



Scope of Supply

- Obturator
- Adjustable neck strap
- Product info card with two detachable labels

General Information	
Product line	Vario
Legal manufacturer	Tracoe Medical GmbH Reichelsheimer Str. 1/3 55268 Nieder-Olm, Germany
Country of origin	Germany
Colour Coding	REF 460
Handling	
Shelf life	5 years, from date of production
Maximum Useful Life	29 days, from first use

Packaging	
Packaging unit	1 piece
Weight	See Table
Dimensions (W x H x L)	210 x 113 x 50 mm
Material outer packaging:	Cardboard box
Material sterile packaging:	Sterile bag with medical paper and transparent heatsealable PET/PP foil

Material Specifications	
Material Outer cannula	Polyvinylchloride
Material Neck Flange	Polysulfone/ TPE
Material Cuff	Polyvinylchloride
Biocompatibility	EN ISO 10993-1

Storage	

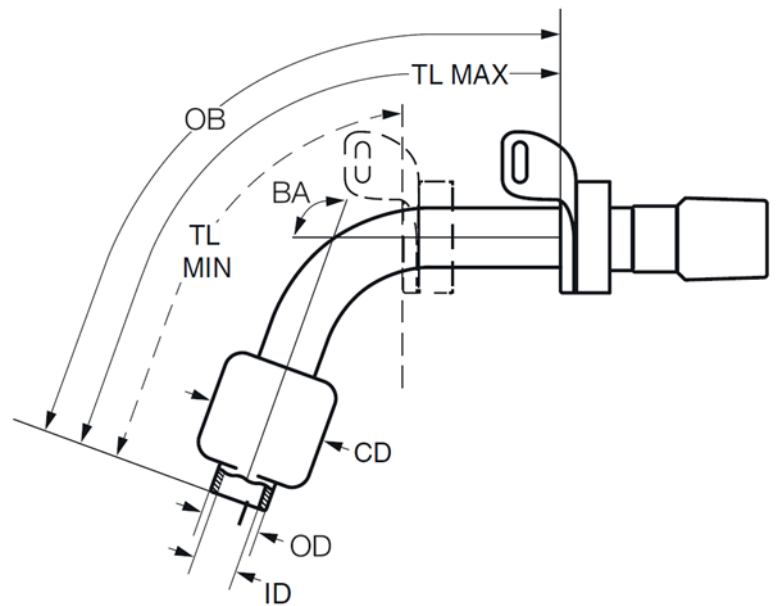
Certification	
Product classification acc. MDR	IIb
CE Marking	
GMDN	35404
Quality system certified to	EN ISO 13485
FDA registration	Clearance Number K203362

Product Range

Size	Order Number	ID	OD	TL (TL Min-TL Max)	OB	BA	CD	Gross weight	Global Trade Item Number
		mm	mm	mm	mm	°	mm	g	
06	REF 460-06	6.0	8.2	50.0 – 62.0	76	100	18.0	190	04035324012404
07	REF 460-07	7.0	9.7	54.0 – 69.0	86	100	23.0	196	04035324012428
08	REF 460-08	8.0	11.2	65.0 – 85.0	97	100	28.0	197	04035324012435
09	REF 460-09	9.0	12.3	64.0 – 91.0	106	100	30.0	199	04035324012442
10	REF 460-10	10.0	23.7	68.5 – 103.5	120	100	32.0	205	04035324012459
11	REF 460-11	11.0	14.8	68.0 – 103.0	121	100	34.0	205	04035324012466

Legend

ID	Inner diameter at bottom of cannula
OD	Outer diameter at bottom of cannula
TL MIN	Minimum length along centre line
TL MAX	Maximum length along centre line
OB	Length along outer bend
BA	Bending angle
CD	Cuff diameter



Tracoe Medical GmbH
Reichelsheimer Str. 1 / 3
55268 Nieder-Olm
Germany



Breathing-Speaking-Living

Atos Medical AB
Hyllie Boulevard 17
215 32 Malmö
Sweden
www.atosmedical.com