

Tracoe Twist Plus Extract – REF 888-316

Tracheostomy tube with low pressure cuff, subglottic suction channel and double fenestration at inner and outer bend

Product Description

The Tracoe Twist Plus tracheostomy tubes are used as ventilation and therapy tubes with inner cannulas in hospitals, rehabilitation, and community settings. A special feature is the curved neck flange that moves in both the vertical and horizontal axes, following the movements of the patient's head. The thin tube walls of inner and outer cannulas allow for a good inside - outside diameter ratio. Tracoe Twist and Twist Plus tracheostomy tubes are made of polyurethane (PU). The low-pressure cuff is made of medical grade PVC.



Scope of Supply

- 2 inner cannulas with 15 mm connector
- Inner cannula, double fenestrated with 15 mm connector
- 2 connectors for suction devices
- Occlusion cap
- Lubricating gel
- Perforated obturator
- Neck strap

General Information	
Product line	Twist Plus Extract
Legal manufacturer	Tracoe Medical GmbH Reichelsheimer Str. 1/3 55268 Nieder-Olm, Germany
Country of origin	Germany
Colour Coding	REF 888-316 ++
Handling	
Shelf life	5 years, from date of production
Maximum Useful Life	29 days, from first use

Packaging	
Packaging unit	1 unit
Weight	See Table
Dimensions (W x H x L)	210 x 113 x 50 mm
Material outer packaging:	Cardboard box
Material sterile packaging:	Sterile bag with medical paper and transparent heatsealable PET/PP foil

Material Specifications	
Material Outer cannula	Polyurethane
Material Neck Flange	Polycarbonate
Material Cuff	Polyvinylchloride
Biocompatibility	EN ISO 10993-1
Storage	

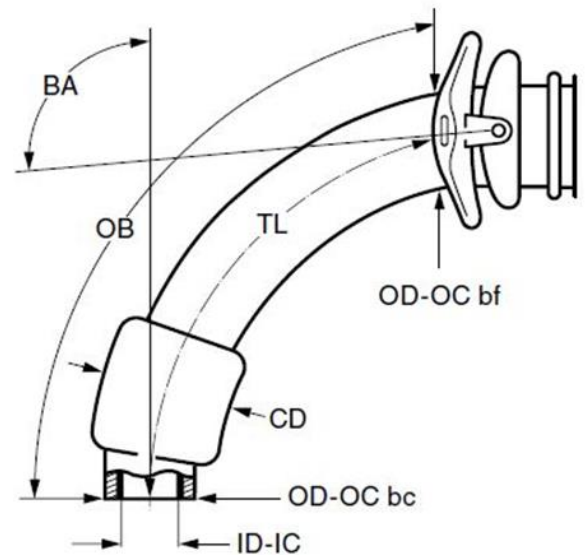
Certification	
Product classification acc. MDR	IIb
CE Marking	
GMDN	35404
Quality system certified to	EN ISO 13485
FDA registration	Clearance Number K961449

Product Range

Size	Order Number	ID-IC	OD-OC bc	OD-OC bf	TL	OB	BA	CD	Gross Weight	Global Trade Item Number
		mm	mm	mm	mm	mm	°	mm	g	
07	REF 888-316-07	7,0	9,8	10,1	85	91	100	26	132	4035324018895
08	REF 888-316-08	8,0	10,8	11,1	88	95	100	28	133	4035324018901
09	REF 888-316-09	9,0	11,8	12,1	90	99	100	30	135	4035324018925
10	REF 888-316-10	10,0	12,8	13,1	92	102	100	32	136	4035324018932

Legend

- ID-IC** Inside diameter at bottom of inner cannula
- OD-OC bc** Outside diameter at bottom of outer cannula
- OD-OC bf** Outside diameter of outer cannula behind the flange
- TL** Length along centre line from start of neck flange to bottom of tube
- OB** Length along outer bend from start of neck flange to bottom of tube
- BA** Bending angle
- CD** Cuff diameter



Tracoe Medical GmbH
Reichelsheimer Str. 1 / 3
55268 Nieder-Olm
Germany

Atos Medical AB
Hyllie Boulevard 17
215 32 Malmö
Sweden
www.atosmedical.com